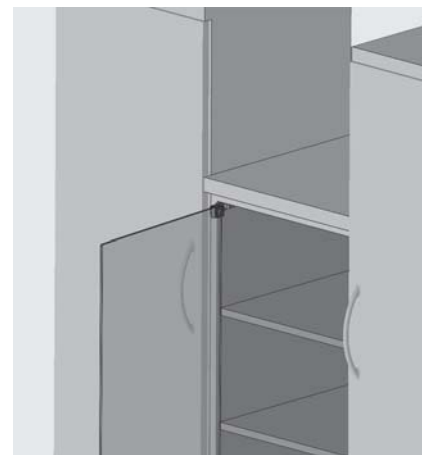


Short Type Hinge with Ball Catch for Non-Bored Glass Doors



- Opening angle 180°.
- Applied to inset glass doors. Especially suitable for music systems.
- Glass drilling is not required.
- Place the glass carefully into the hinge and fix with brass screw.
- Suitable for glass door with maximum dimensions of 350 mm width, 800 mm height and 5 mm thickness.
- Packaging: 20 Set Box
120 Set Carton

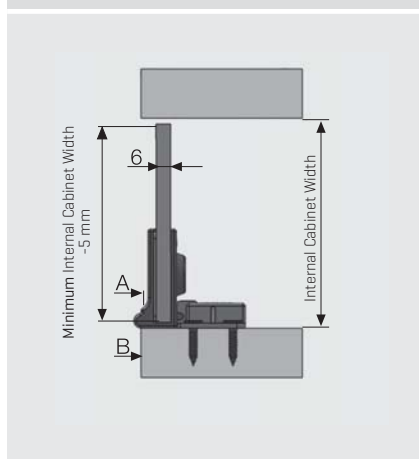


Short Type Hinge with Ball Catch for Non-Bored Glass Doors

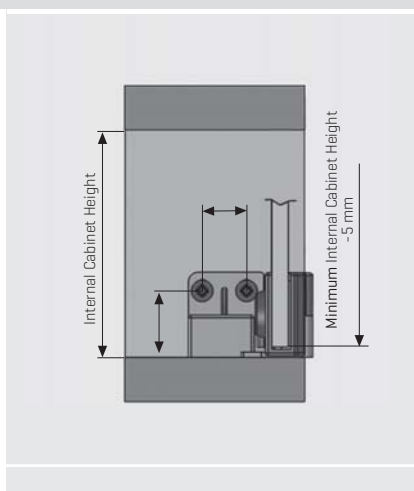
Code List According to Cup Connection Types

DEFINITION	CODE
Short Type Hinge with Ball Catch for Non-Bored Glass Doors Nickel	103051
Short Type Hinge with Ball Catch for Non-Bored Glass Doors Gold	103055
Short Type Hinge with Ball Catch for Non-Bored Glass Doors Dark Grey	103056
Short Type Hinge with Ball Catch for Non-Bored Glass Doors Black	103057

Application Alternatives



* Surfaces A and B have to be on the same height.



Screw Options

Ø3,5x16 mm Chipboard Screw

